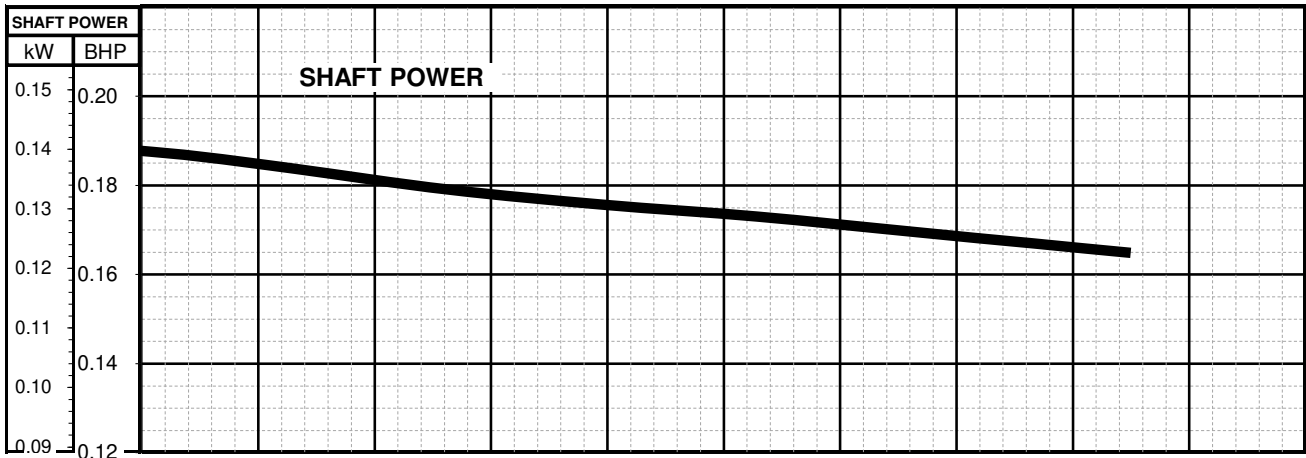
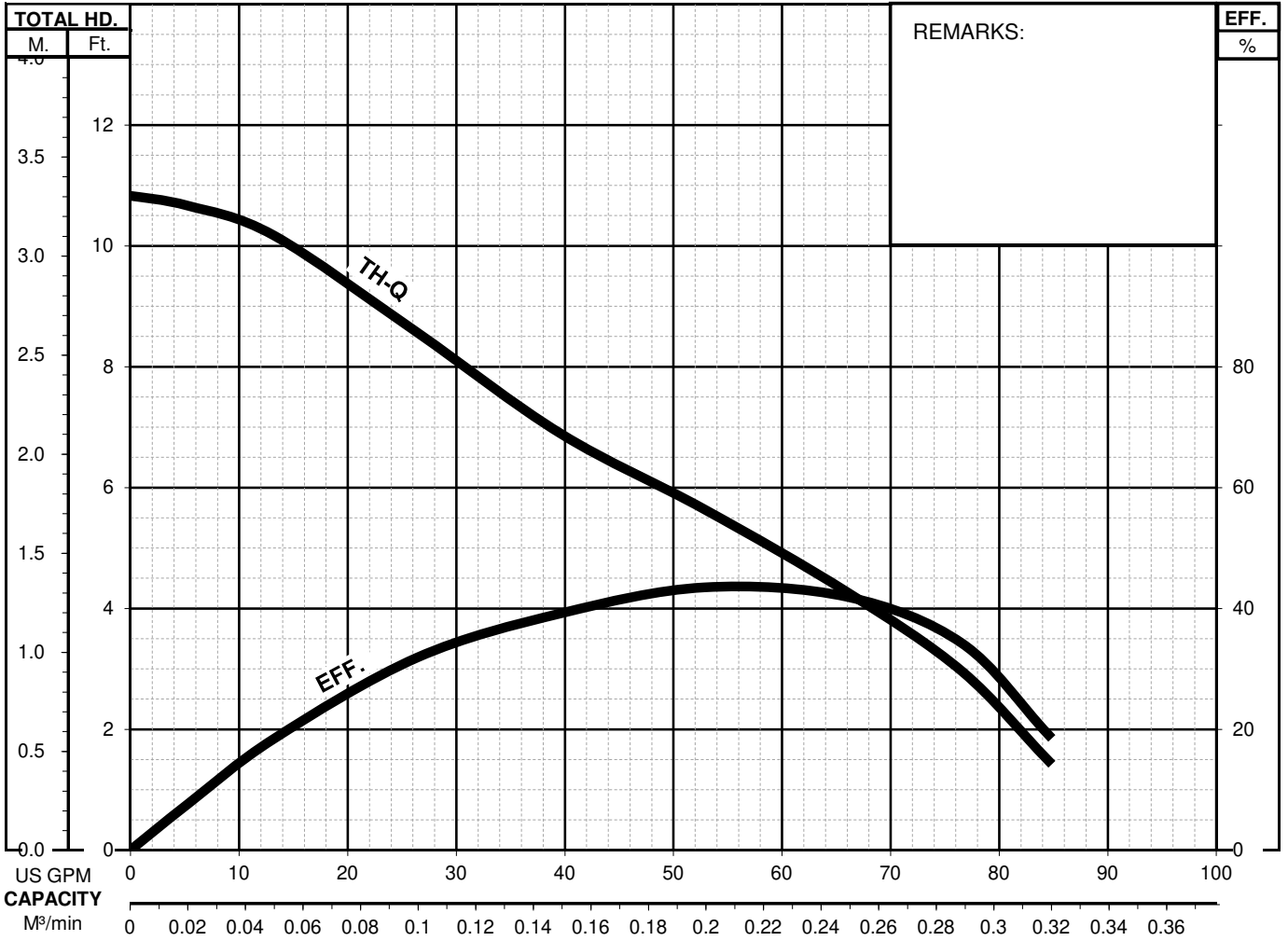




2-PN HIGH VOLUME POND PUMP

PERFORMANCE CURVE

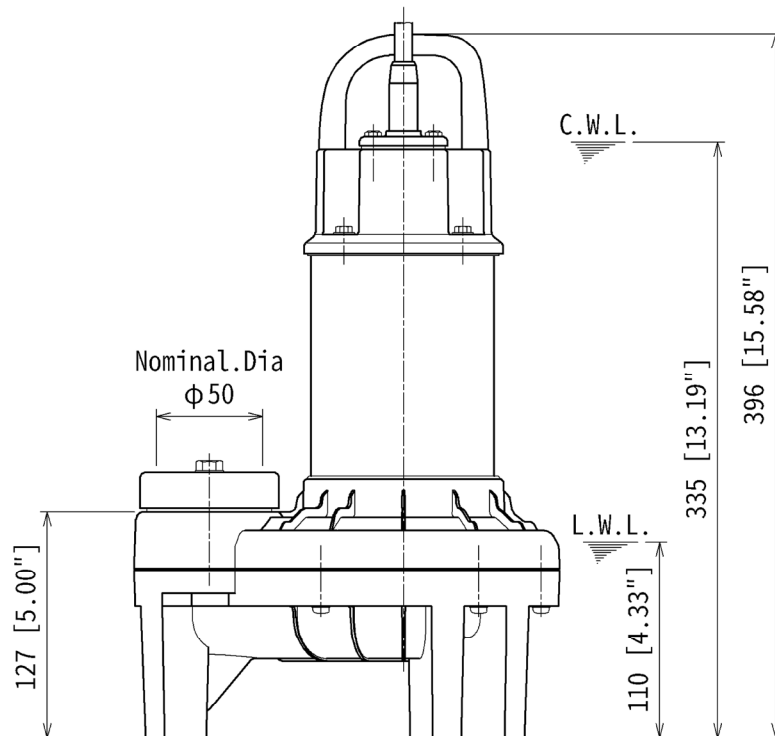
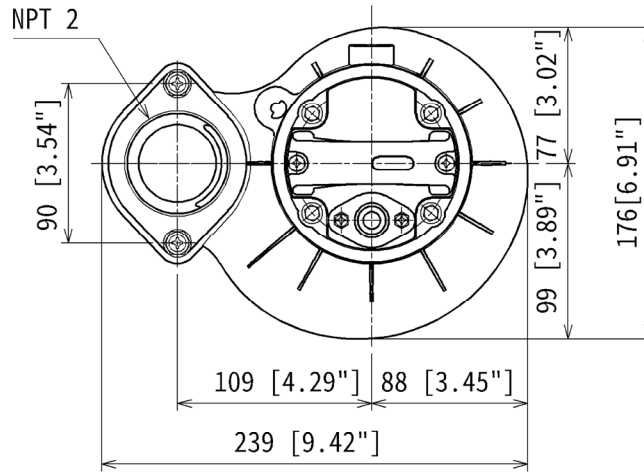
MODEL	BORE	HP	kW	RPM	SOLIDS DIA.	LIQUID	SG.	VISCOSITY	TEMP.
2-PN	2"/50mm	0.20	0.15	3457	0.56"/14.2mm	Water	1.0	1.123cSt.	60°F
PUMP TYPE	PHASE	VOLTAGE	AMPERAGE	HZ	STARTING METHOD	INS. CLASS			
Semi-Vortex - High Volume Pond Pump	Single	115	3.2	60	Capacitor-Start	F			
CURVE No.	DATE	PHASE	VOLTAGE	AMPERAGE	HZ	STARTING METHOD	INS. CLASS		
-	-	-	-	-	-	-	-		



DIMENSION DRAWING		No.	No. A-30196-16US
TYPE	Submersible Resin-made Wastewater Pump	MODEL	2-PN

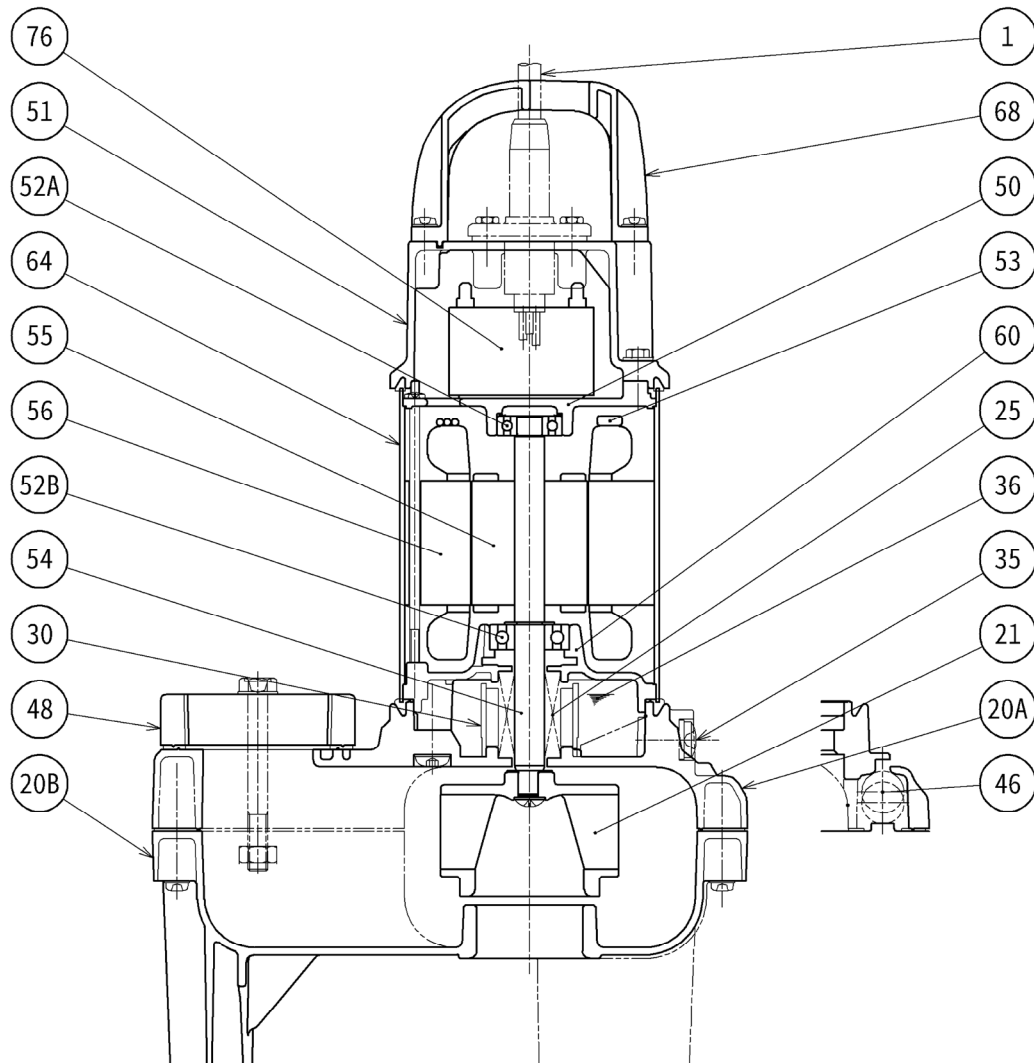
Approximate Weight(※)
12.3lbs

※excluding cable



C.W.L.:Continuous running Water Level
L.W.L.:Lowest running Water Level

SECTIONAL DRAWING		No.	No. A-30197-16US
TYPE	Submersible Resin-made Wastewater Pump	MODEL	2-PN



REQ. SPECIFICATION	

No.	DESCRIPTION	Q'TY	MATERIAL / NOTE	No.	DESCRIPTION	Q'TY	MATERIAL / NOTE
1	Cabtyre Cable	1	PVC Sheath	52A	Upper Bearing	1	6000ZZC3
20A	Upper Pump Casing	1	Plastic W/GF	52B	Lower Bearing	1	6201ZZC3
20B	Lower Pump Casing	1	Plastic	53	Motor Protector	1	
21	Impeller	1	Plastic W/GF	54	Shaft	1	316 Stainless Steel
25	Mechanical Seal	1	D-12RC	55	Rotor	1	
30	Oil Lifter	1	Plastic	56	Stator	1	
35	Oil Plug	1	304 Stainless Steel	60	Bearing Housing	1	Aluminium Die Casting 12
36	Lubricant		Liquid Paraffin(ISO VG32)	64	Motor Frame	1	304 Stainless Steel
46	Air Release Valve	1	Glass Ball	68	Handle	1	Plastic
48	Screwed Flange	1	Plastic W/GF	76	Capacitor	1	
50	Motor Bracket	1	Aluminium Die Casting 12				
51	Head Cover	1	Plastic W/GF				